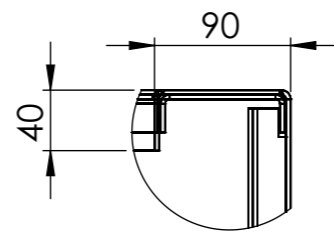
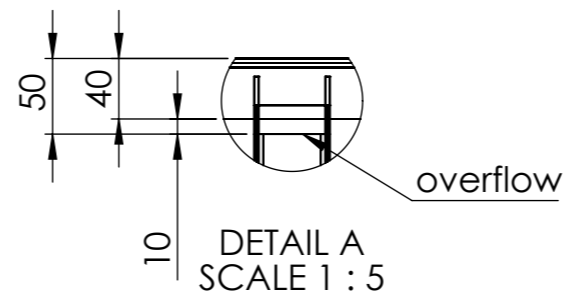


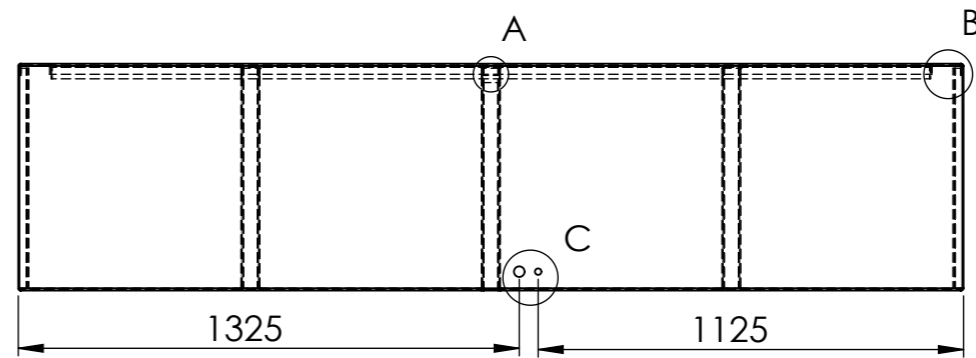
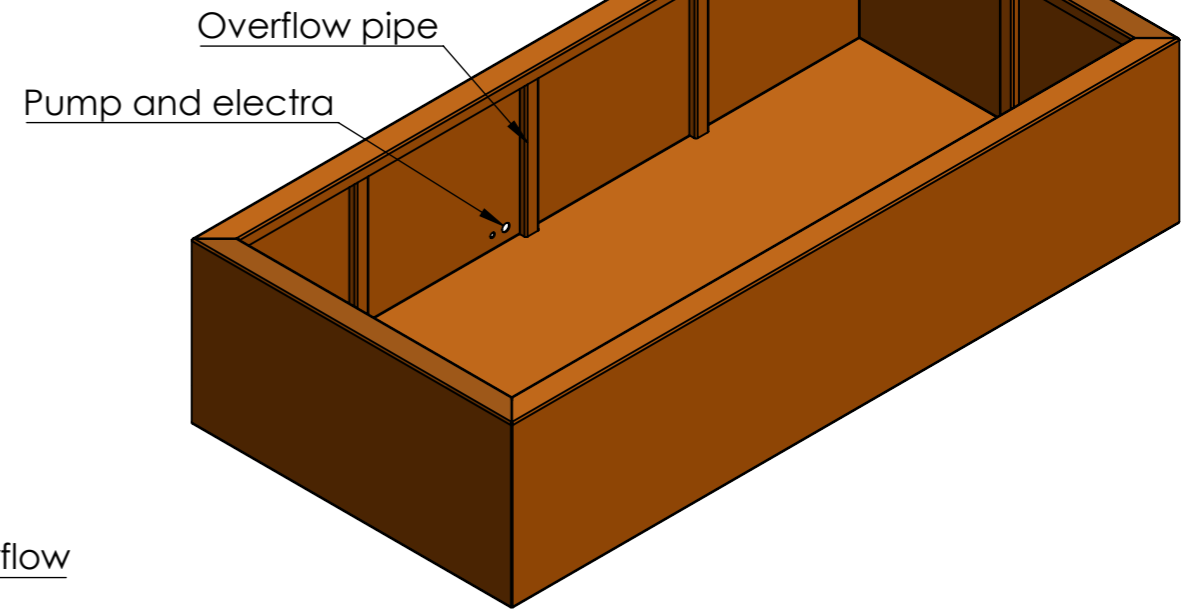
DETAIL C
SCALE 1 : 5



DETAIL B
SCALE 1 : 5



DETAIL A
SCALE 1 : 5



**Overflow pipe and holes for pump and electra placement on request!
Approval drawings will be made and send accordingly.**

DRAWN	Luuk van den Heuvel	DATE	2-2-2020		TITLE:	3mm Corten	
REVISION	Pleuni Bongers	DATE	25-9-2020		Drawing:	VC8__	A3
		Liessentstraat 4, 5405 AG Uden (NL). t 0031 (0)413 - 27 41 68. e info@adezz.com, i www.adezz.com		Color:	-	Mass (kg):	228.35
				SCALE:	1:20	SHEET 1 OF 13	