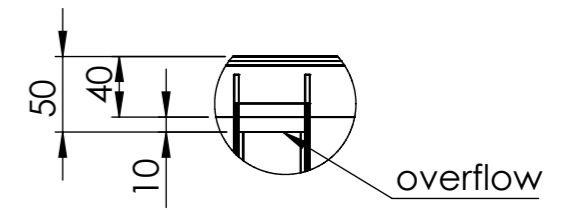
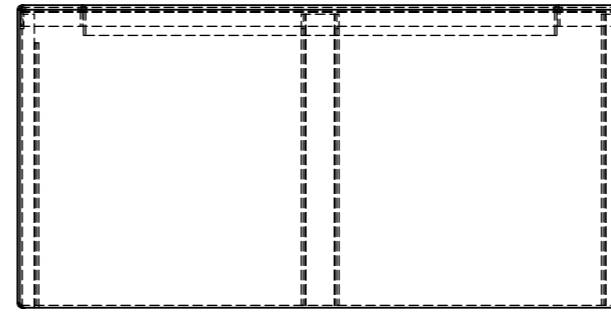
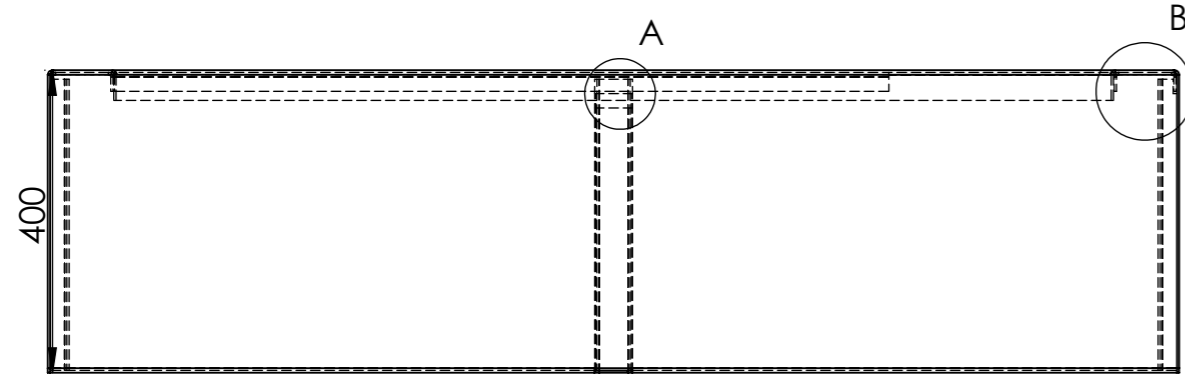
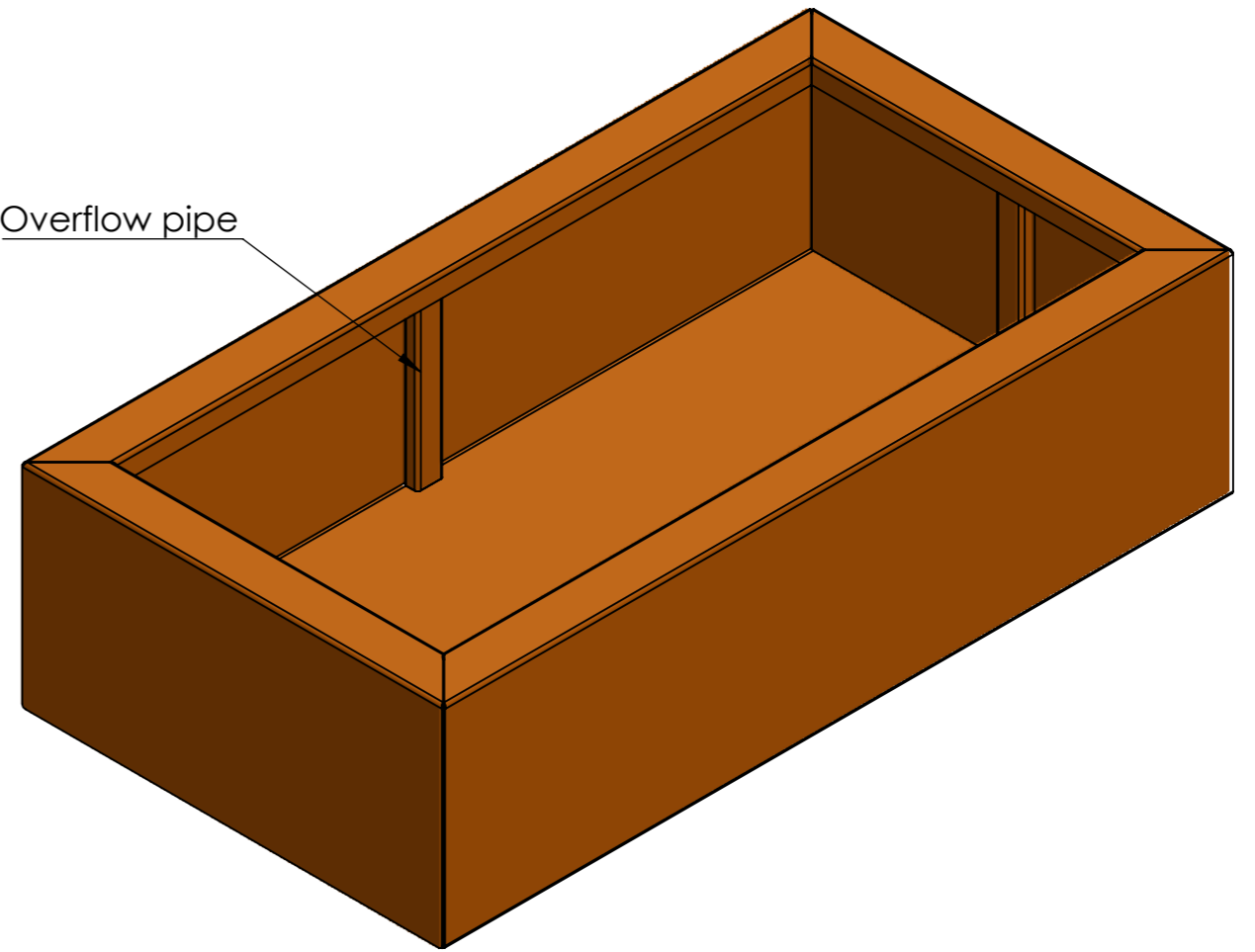
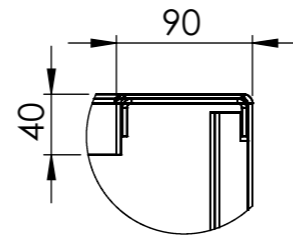


Overflow pipe



DETAIL A  
SCALE 1 : 5



DETAIL B  
SCALE 1 : 5

DRAWN	Luuk van den Heuvel	DATE	26-6-2023		TITLE:	Corten 3mm	
REVISION					Drawing:	VC10.1--	A3
		Liessentstraat 4, 5405 AG Uden (NL). † 0031 (0)413 - 27 41 68. e info@adezz.com, i www.adezz.com			Color:	-	Mass (kg): <b>95.71</b>
		SCALE:1:10		SHEET 1 OF 10			