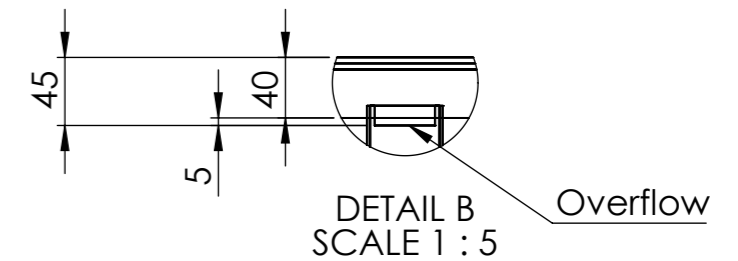
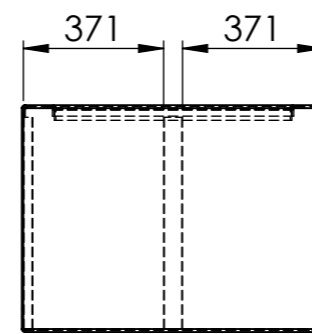
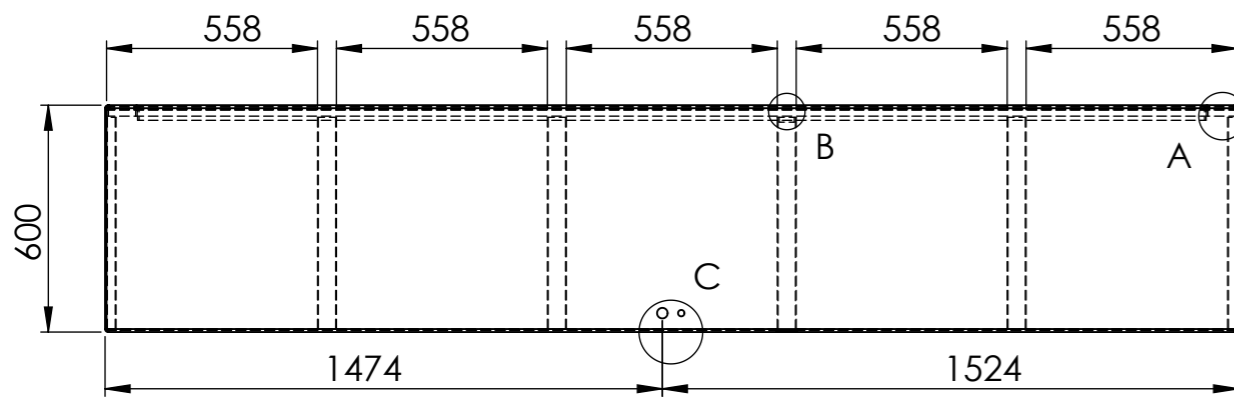
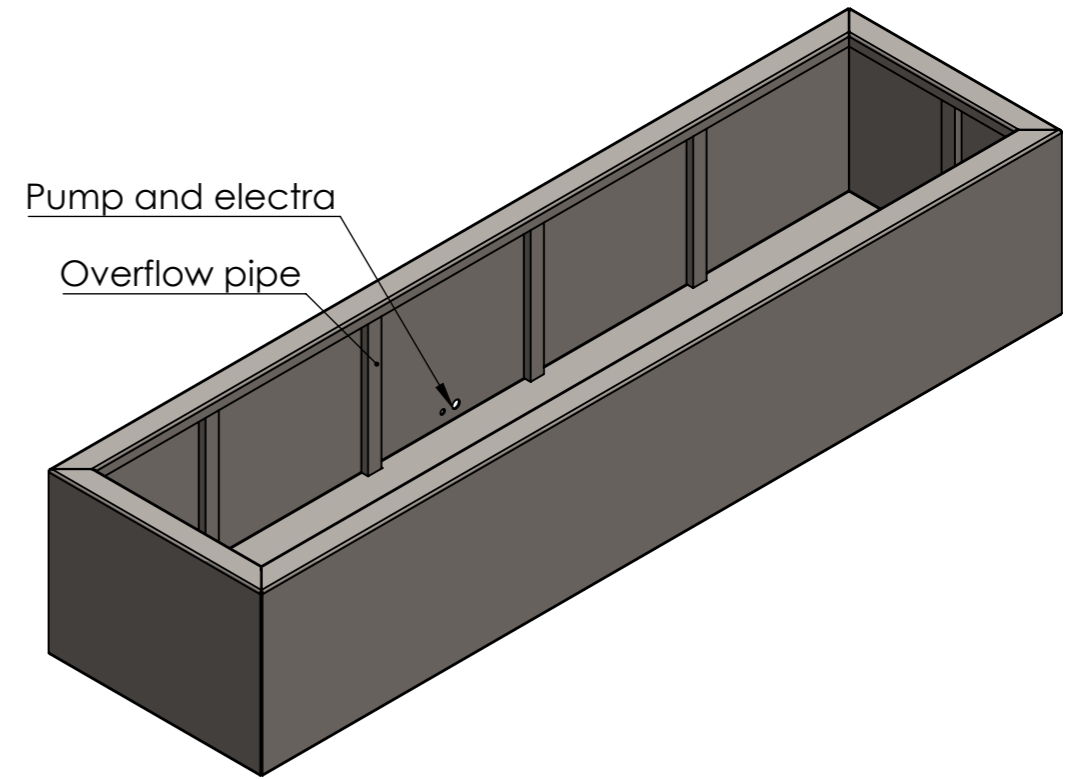
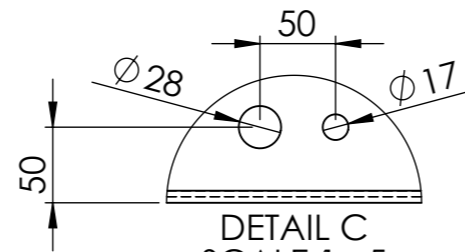


DETAIL A
SCALE 1 : 5



DETAIL B
SCALE 1 : 5



DETAIL C
SCALE 1 : 5

**Overflow pipe and holes for pump and electra placement on request!
Approval drawings will be made and send accordingly.**

DRAWN	Luuk van den Heuvel	DATE	27-1-2020
REVISION			

ADEZZ[®]
WE PRODUCE GARDEN PRODUCTS FOR PROFESSIONALS

Liessentstraat 4, 5405 AG Uden (NL).
t 0031 (0)413 - 27 41 68.
e info@adezz.com, i www.adezz.com

TITLE:	4mm Aluminium	
Drawing:	VA7_SLDDRW	A3
Color:	-	Mass (kg): 99.27
SCALE:	1:20	SHEET 1 OF 11