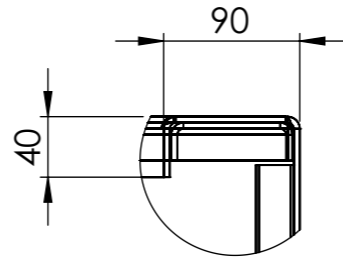
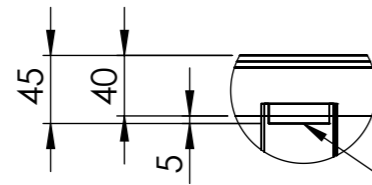


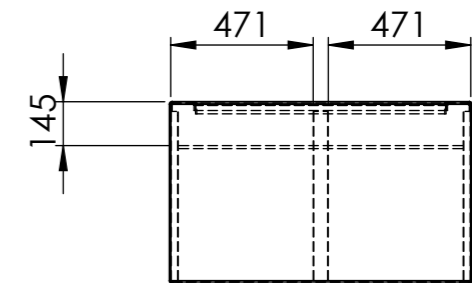
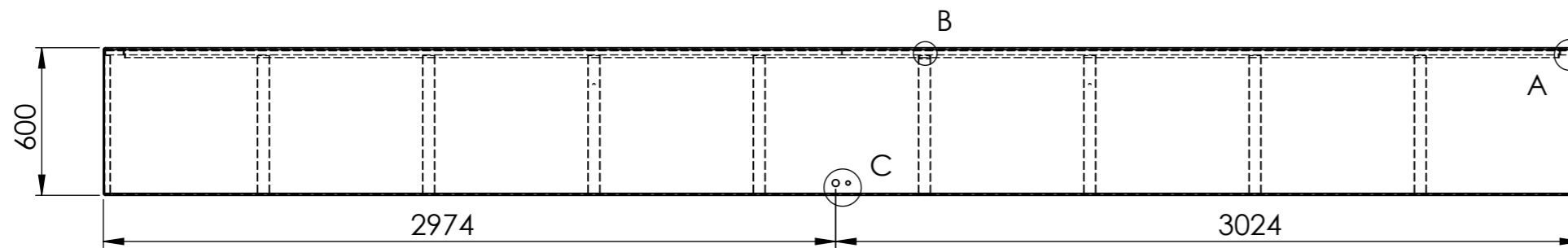
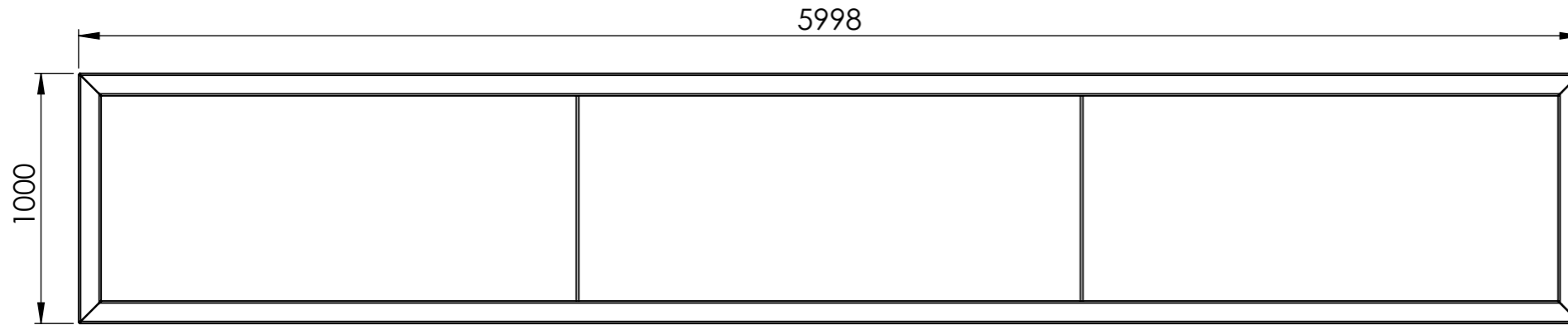
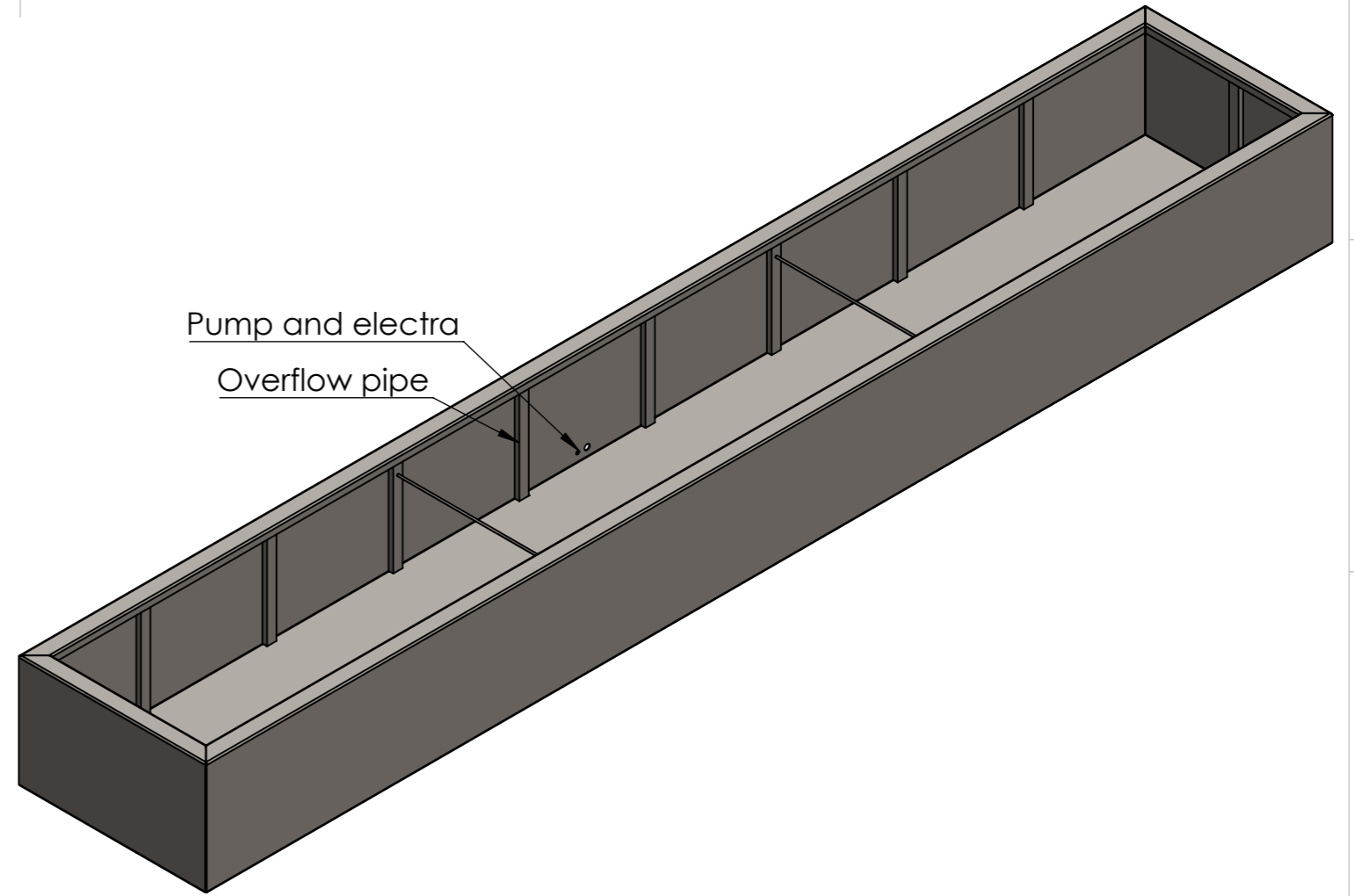
DETAIL C
SCALE 1 : 5



DETAIL A
SCALE 1 : 5



DETAIL B
SCALE 1 : 5
Overflow



**Overflow pipe and holes for pump and electra placement on request!
Approval drawings will be made and send accordingly.**

DRAWN	Luuk van den Heuvel	DATE	27-1-2020
REVISION			



TITLE:
4mm Aluminium

ADEZZ
WE PRODUCE GARDEN PRODUCTS FOR PROFESSIONALS

Liessentstraat 4, 5405 AG Uden (NL).
t 0031 (0)413 - 27 41 68.
e info@adezz.com, i www.adezz.com

Drawing:
VA1_SLDDRW

A3

Color: -

Mass (kg): **201.34**

SCALE:1:25

SHEET 1 OF 12