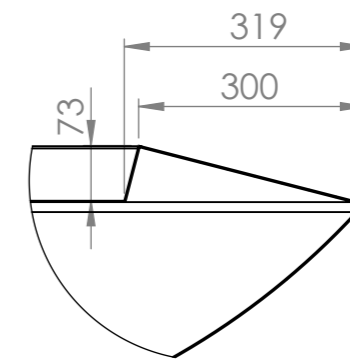
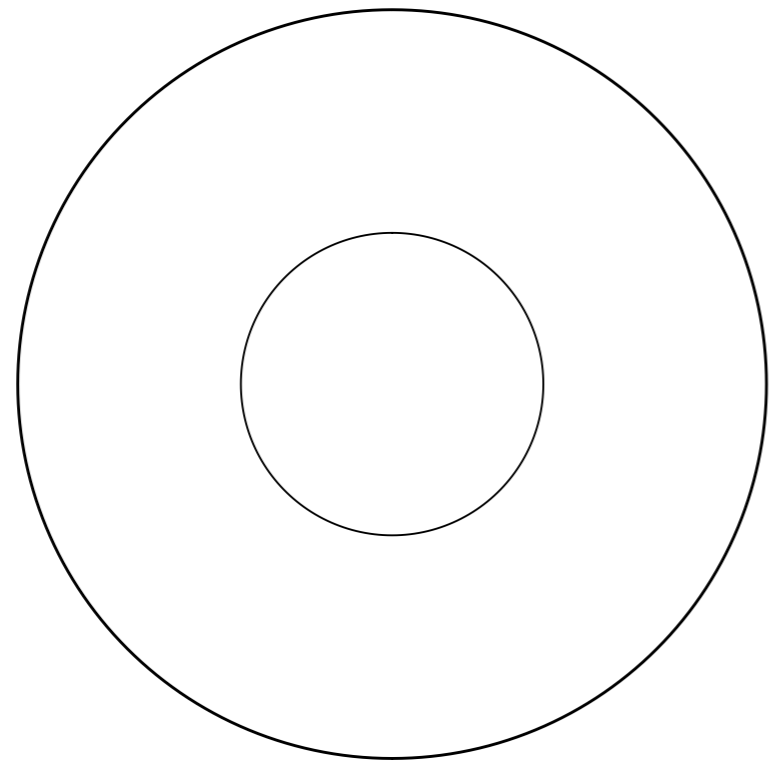
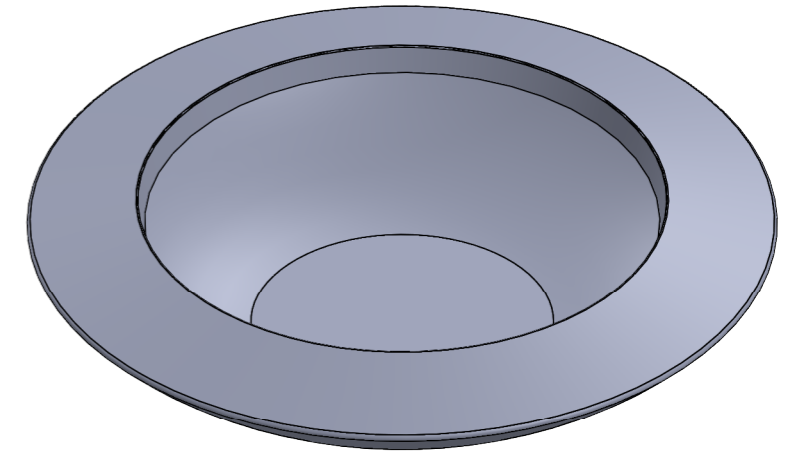


SECTION C-C



DETAIL D
SCALE 1 : 10

DRAWN	M. Verhoeven	DATE	00-00-00		TITLE:	Fiberglass	
REVISION					Drawing:	Malva PM2 2000x400	A3
		Liessentstraat 4, 5405 AG Uden (NL). † 0031 (0)413 - 27 41 68. e info@adezz.com, i www.adezz.com		Color:	-	Mass (kg):	
				SCALE:1:20	SHEET 1 OF 1		