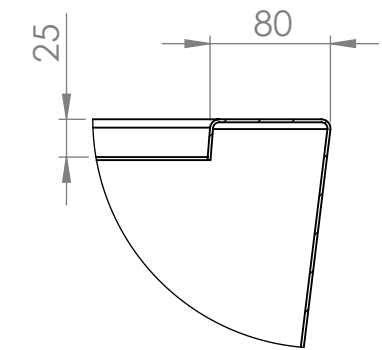
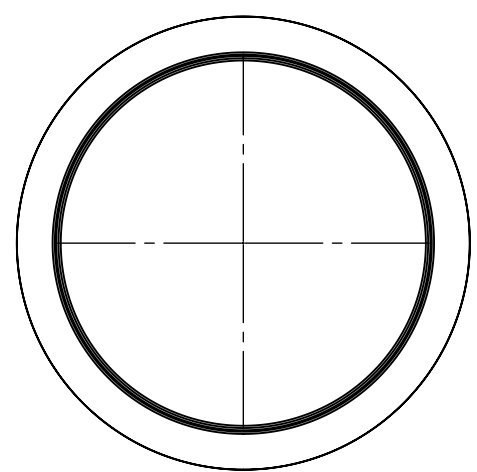


DETAIL 1  
SCALE 1 : 5



DETAIL 2  
SCALE 1 : 5



DRAWN	M. Verhoeven	DATE	00-00-00		TITLE:		
REVISION					Fiberglass		
				Liessentstraat 4, 5405 AG Uden (NL). † 0031 (0)413 - 27 41 68. e info@adezz.com, i www.adezz.com		Drawing.	
Color: -				Mass (kg):		Acer PE1 1200x800	A3
				SCALE:1:20		SHEET 1 OF 1	