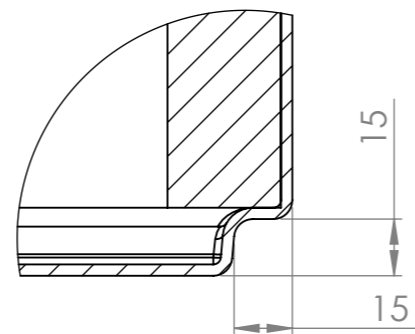
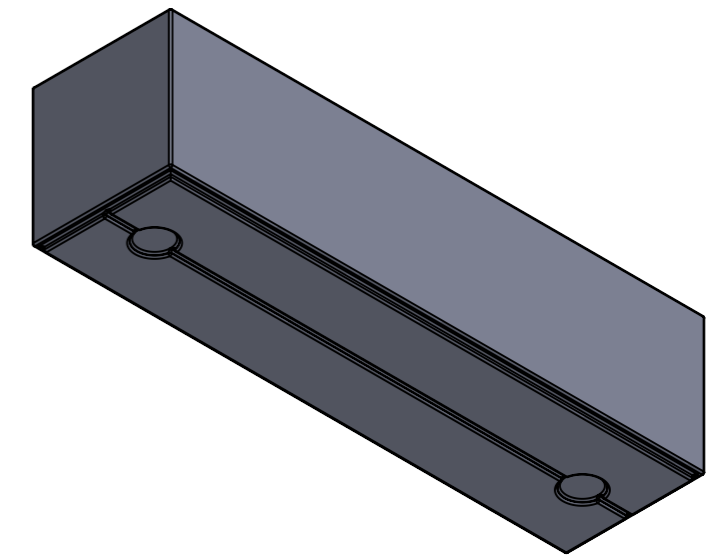
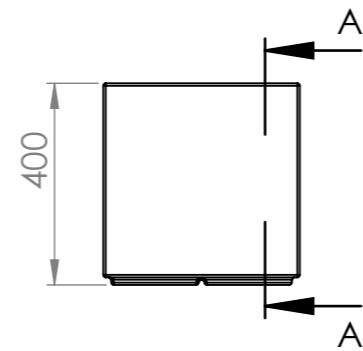


SECTION A-A



DETAIL C
SCALE 1 : 2

ITEM NO.	PART NUMBER	THICKNESS	DESCRIPTION	QTY.
1	PB25.1 Polyester			1
2	PB25.1 EPS60 2			2
3	PB25.1 EPS60			4

DRAWN	Benny Dijkhuis	DATE	9-7-2021
REVISION			

TITLE:	3mm Fibreglass
--------	----------------



Liessentstraat 4, 5405 AG Uden (NL).
 † 0031 (0)413 - 27 41 68.
 e info@adezz.com, i www.adezz.com

Drawing:	PB25.1 1500x400x400	A3
----------	---------------------	----