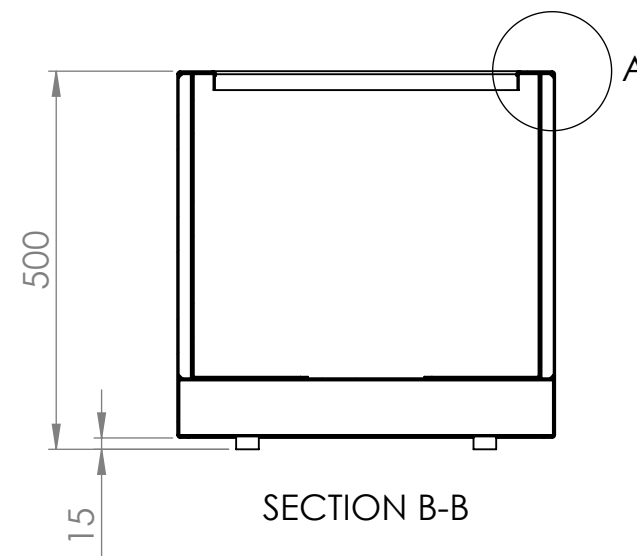
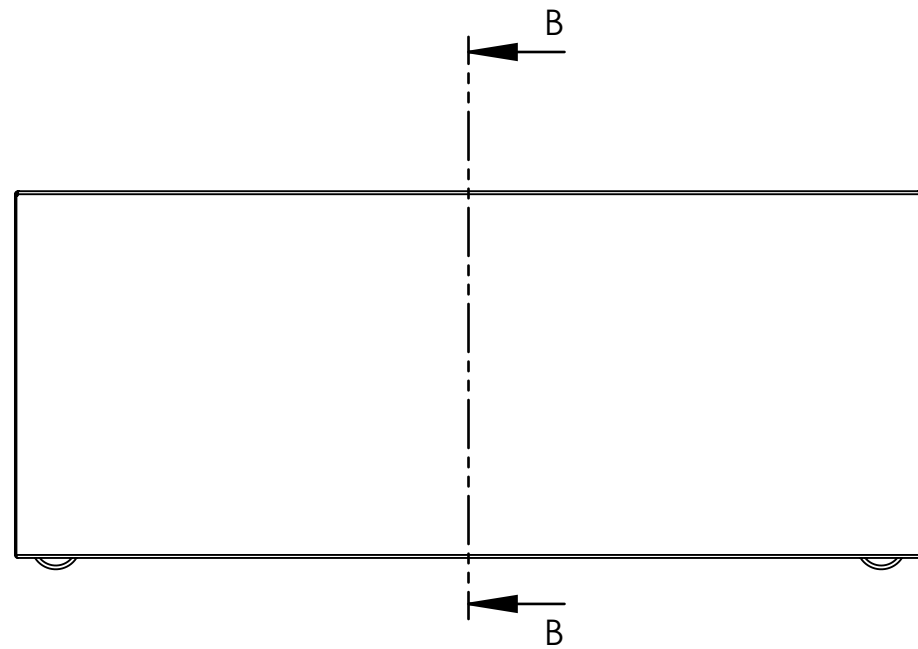
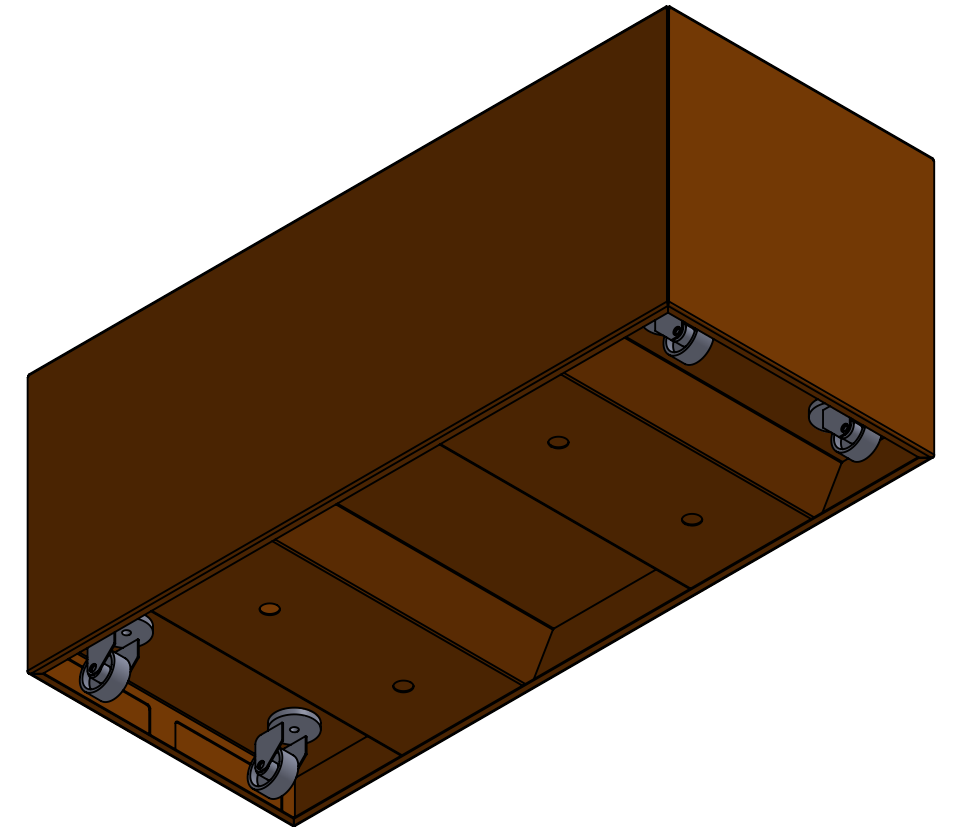
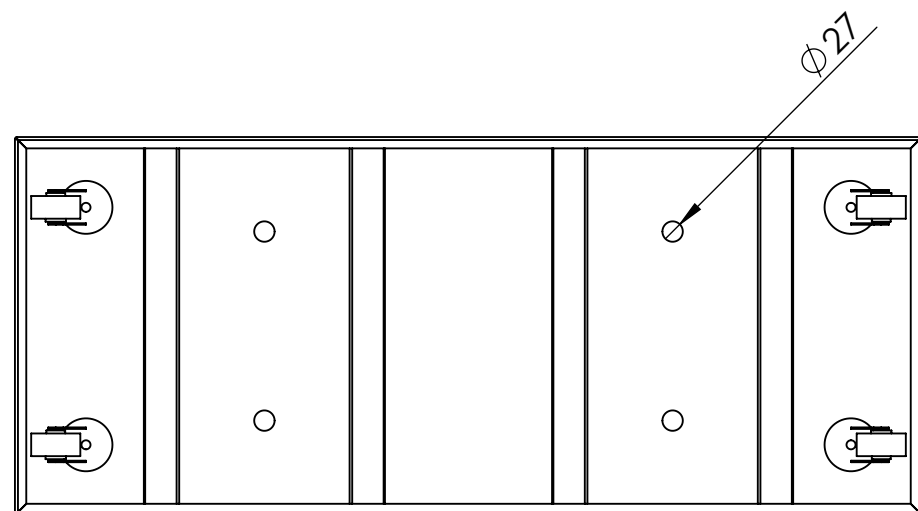
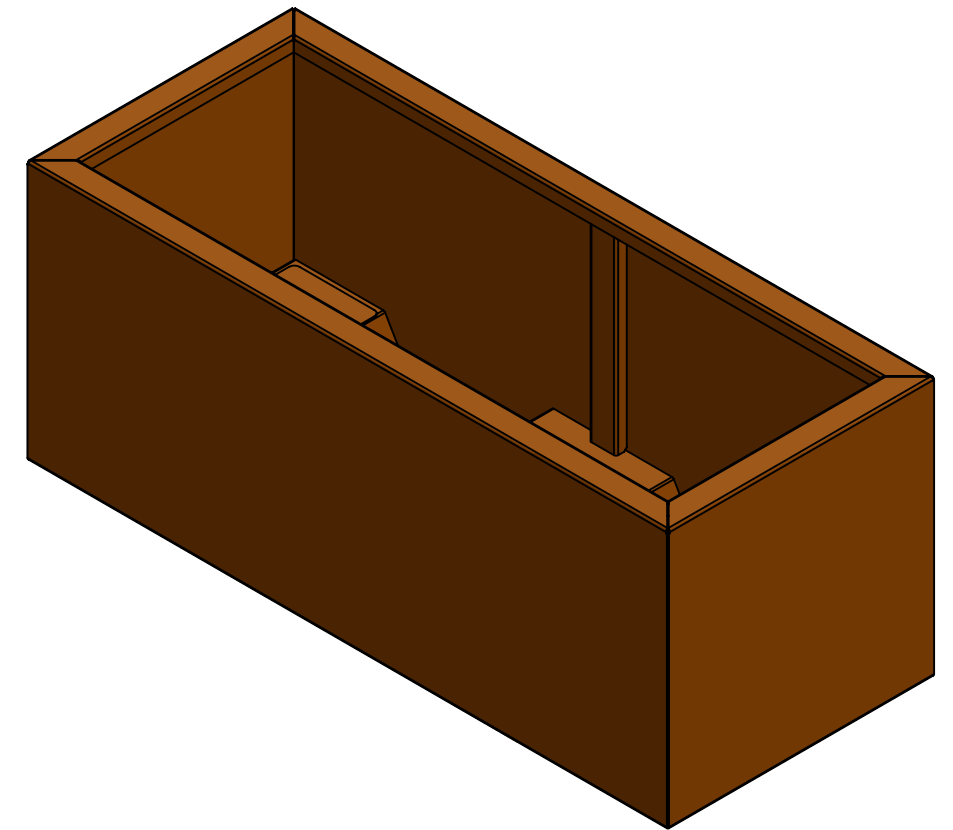


DETAIL A  
SCALE 1 : 2



SECTION B-B



DRAWN	Benny Dijkhuis	DATE	8-11-2019		TITLE:	2mm Corten
REVISION	Luuk van der Heuvel		9-12-2020		Drawing:	
		Liessentstraat 4, 5405 AG Uden (NL). † 0031 (0)413 - 27 41 68. e info@adezz.com, i www.adezz.com			Color:	Mass (kg): <b>43.47</b>
					SCALE:1:10	SHEET 1 OF 7