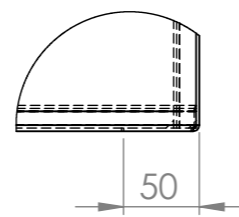
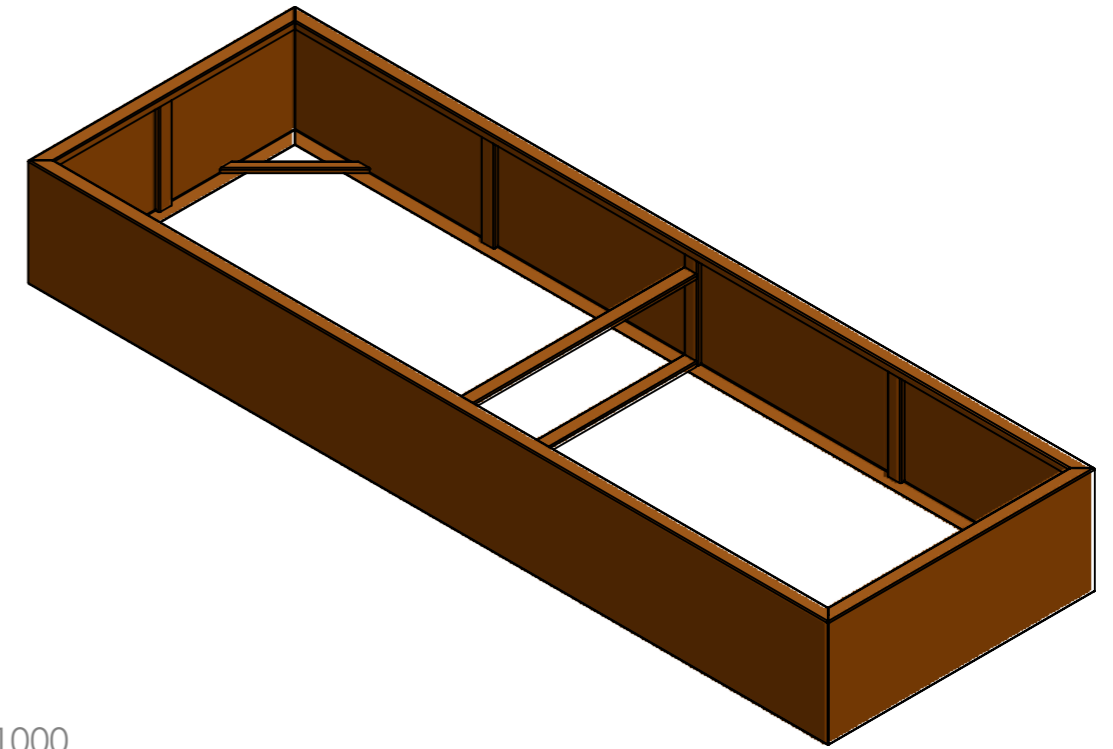


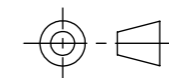
DETAIL A  
SCALE 1 : 5



DETAIL B  
SCALE 1 : 5



DRAWN	Konstantinos Matikas	DATE	24-5-2023
REVISION			



TITLE:	Corten 2mm	
--------	------------	--

**ADEZZ**  
DESIGN TO GROW

Liessentstraat 4, 5405 AG Uden (NL).  
t 0031 (0)413 - 27 41 68.  
e info@adezz.com, i www.adezz.com

Drawing:	CAW18.2	A3
----------	---------	----

Color:	Mass (kg): <b>70.77</b>	SCALE:1:20	SHEET 1 OF 7
--------	-------------------------	------------	--------------