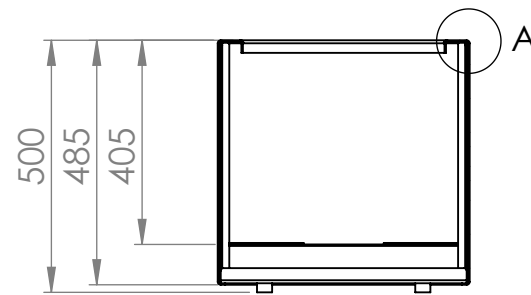
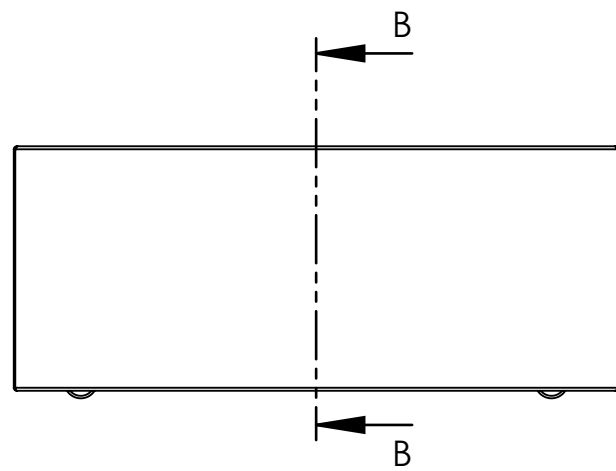
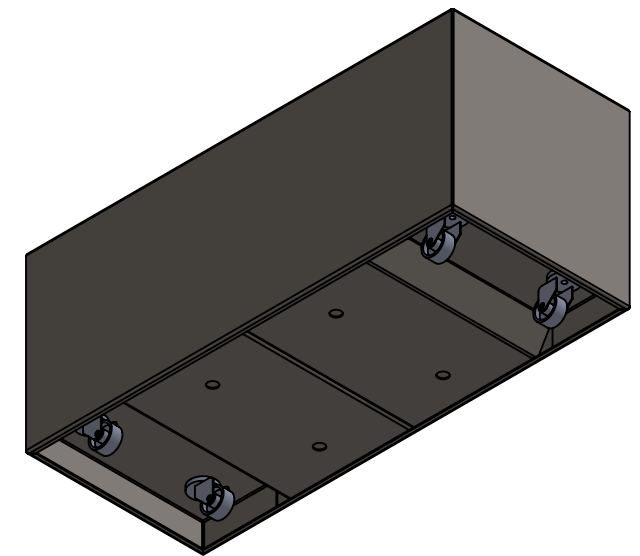
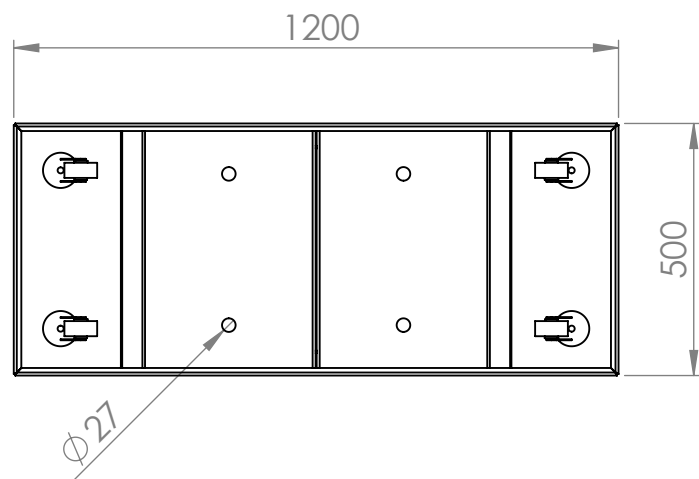
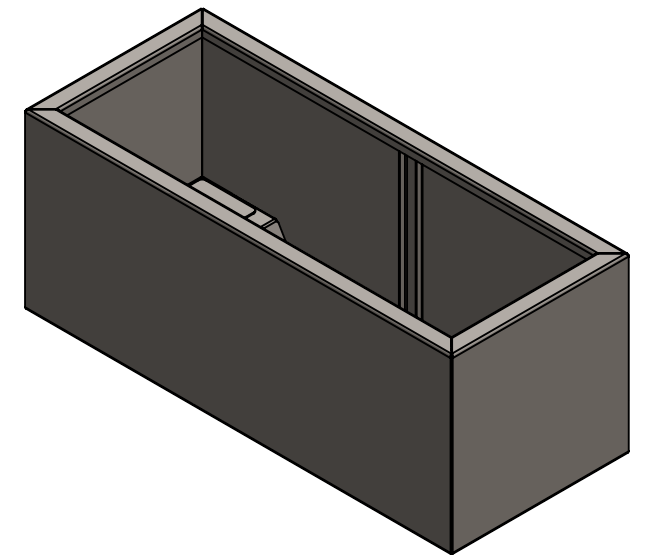


DETAIL A  
SCALE 1 : 2



SECTION B-B



|          |                     |  |              |                                  |                                   |
|----------|---------------------|--|--------------|----------------------------------|-----------------------------------|
| DRAWN    | Luuk van den Heuvel | DATE   | 18-2-2021    |                                  | TITLE:<br><br><b>3mm Aluminum</b> |
| REVISION | Pleuni Bongers      | DATE   | 27-5-2021    |                                  |                                   |
|          |                     | Liessentstraat 4, 5405 AG Uden (NL).<br>t 0031 (0)413 - 27 41 68.<br>e info@adezz.com, i www.adezz.com |              | Drawing:<br><br><b>AFWL 23.2</b> |                                   |
| Color:   |                     | Mass (kg):   | <b>23.21</b> | SCALE:1:15                       | A3                                |

|                                  |              |    |
|----------------------------------|--------------|----|
| Drawing:<br><br><b>AFWL 23.2</b> |              | A3 |
| SCALE:1:15                       | SHEET 1 OF 7 |    |