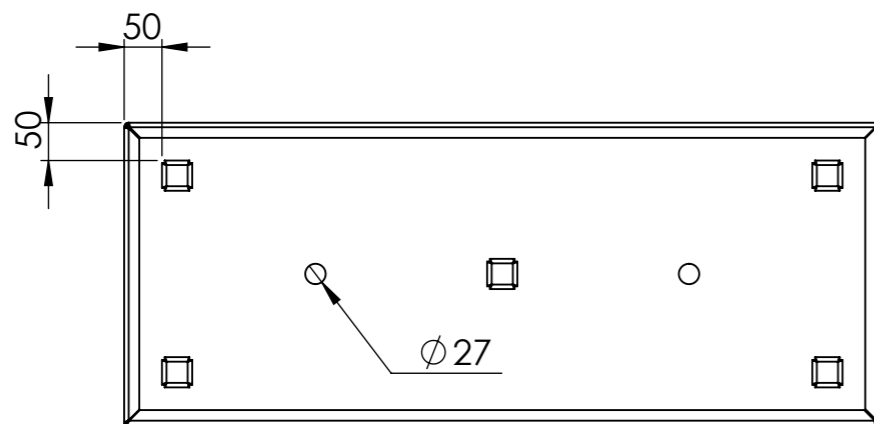


DETAIL A
SCALE 1 : 5



| | | | | |
|----------|----------------|--|--------------|--|
| DRAWN | Benny Dijkhuis | DATE | 7-11-2019 | |
| REVISION | Bas Vlamings | DATE | 4-8-2020 | |
| | | Liessentstraat 4, 5405 AG Uden (NL). t 0031 (0)413 - 27 41 68. e info@adezz.com, i www.adezz.com | | |
| Color: | --- | Mass (kg): | 13.54 | |

| | | | |
|------------|--------------|---------------|--|
| TITLE: | | 3mm Aluminium | |
| Drawing: | AF25.3. | A3 | |
| SCALE:1:10 | SHEET 1 OF 5 | | |