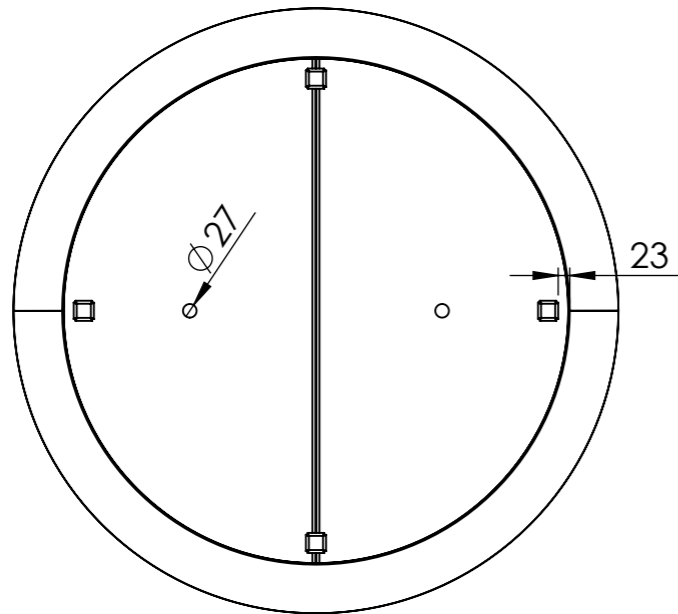
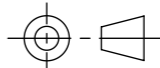



DETAIL C
SCALE 1 : 5



DRAWN	Benny Dijkhuis	DATE	13-11-2019		TITLE:	3 mm Aluminium	
REVISION					Drawing:	AC4.1 1200X800	A3
				Liessentstraat 4, 5405 AG Uden (NL). † 0031 (0)413 - 27 41 68. e info@adezz.com, i www.adezz.com		Color:	---
				Mass (kg):	31.29	SCALE:1:15	SHEET 1 OF 7